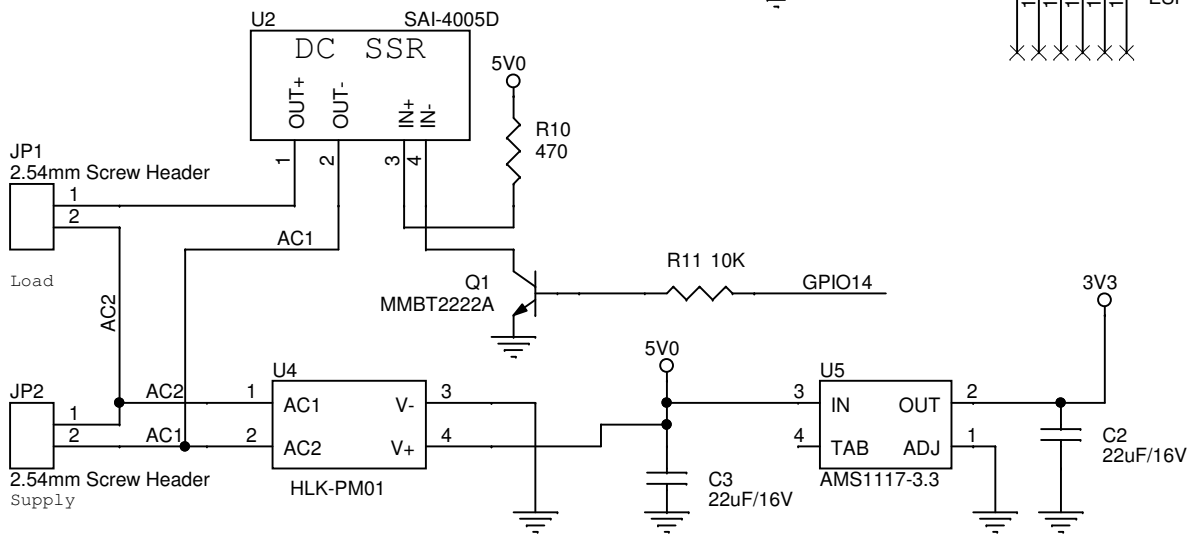
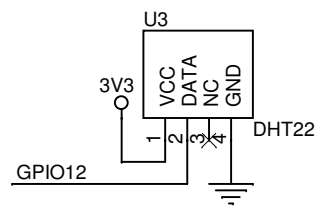
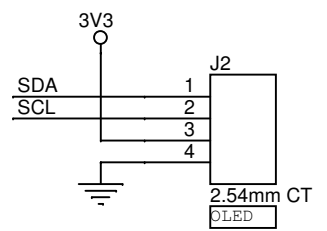
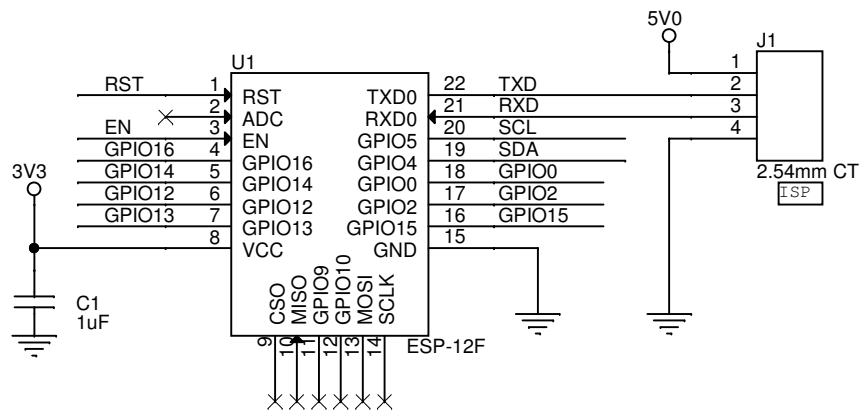
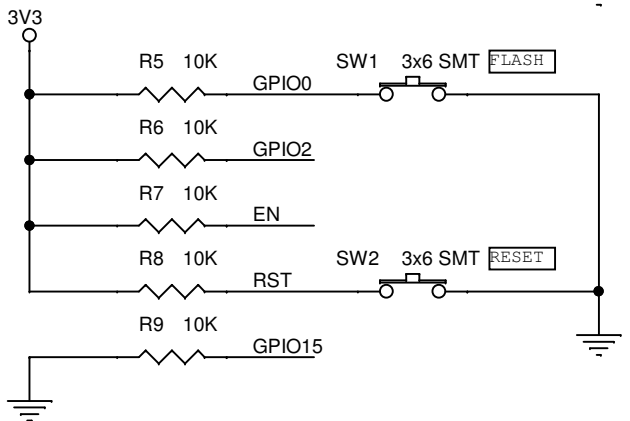


Pin	Function
GPIO0	Flash control (L for download)
GPIO1	TXD
GPIO2	Flash control (should be H)
GPIO3	RXD
GPIO4	Software I2C SDA
GPIO5	Software I2C SCL
GPIO12	Connector for DHT12
GPIO13	Connector for PIR
GPIO14	SSR
GPIO15	Flash control (should be L for SPI flash)
GPIO16	LED



Project
ESP8266 Wi-Fi Switch

Document Title
Main Schematic

Bird Studio
Copyright

Document Owner
Bird Liang
<Designer2>
<Designer3>

Rev
A0

Date: Friday, June 16, 2017

Sheet 1 of 1